

LinTronic

<http://www.lintronic.dk>

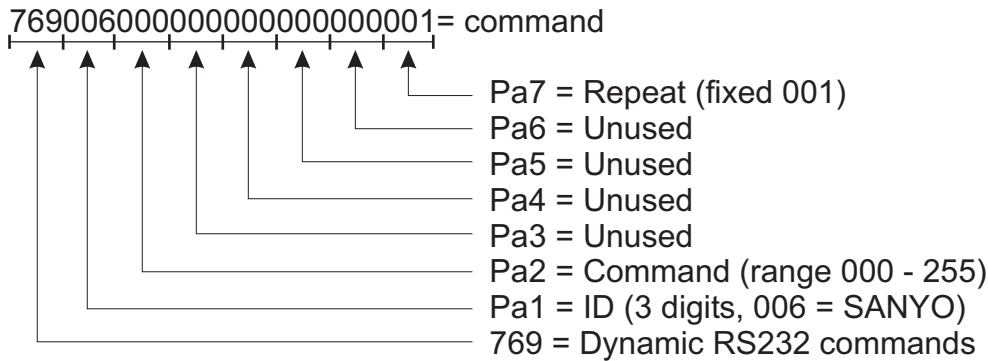
Codeset 769 Sanyo



Customize your Sanyo RS232 commands

The information (commands) controlling the TT455-RT-238 to send out Sanyo RS232 commands, consist of 8 pcs. 3-digit numbers. These commands can be created in the CommandList section of the TT455-RT-238's Configurator.

Structure:



You create commands for your own personal use.
 The commands you create are stored onto your computer for later use/modification.
 The commands cannot be uploaded to our web-database.

Example:

76900608100000000000000000000001=COMPUTER 1 SCART

Numbers must be converted from HEX to decimal and then inserted in the Command (x51 = 81)

See more Sanyo commands in the online doc.

C4F	_____	C8F	KEYSTONE ↓
C50	Computer 1 Analog RGB	C90	_____
C51	Computer 1 Scart	C91	_____
C52	_____	C92	_____
C53	_____	C93	_____
C54	Computer 1 Component	C94	_____
C55	_____	C95	_____

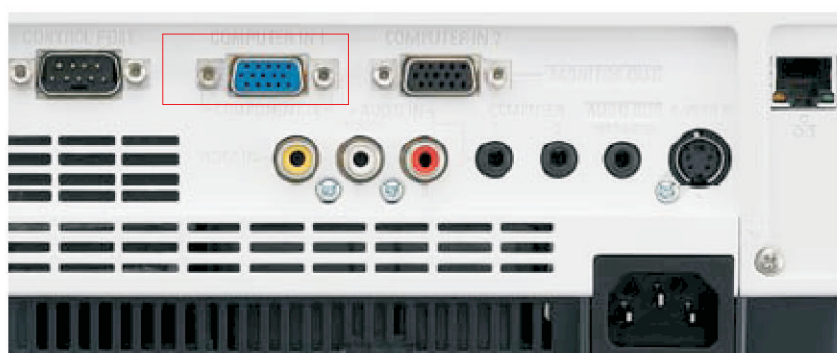
2. Serial Interface Specifications

2.1. Transfer Specifications

Item	Specifications
Synchronous system	Asynchronous
Transmission Speed	9600 / 19200
Data Length	8 bit
Parity	N/A
Stop Bit	1
Flow Control	N/A

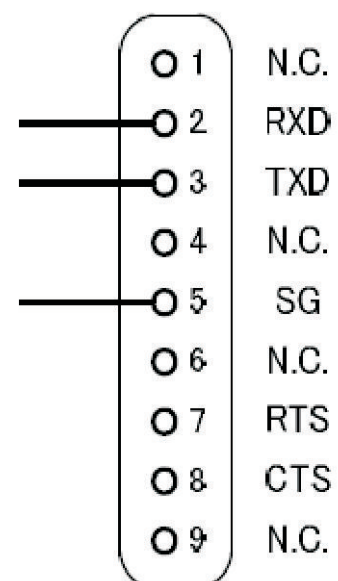
1) Transmission speed: initial setting value is 19200.

2) Transmission speed can be changed in service mode.



Rear Back Panel

Projector Control Port



(D-Sub 9 Pin)

In order to be able to control by RS232, set the STANDBY MODE to Network.

