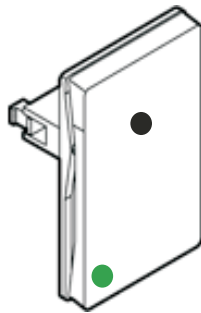


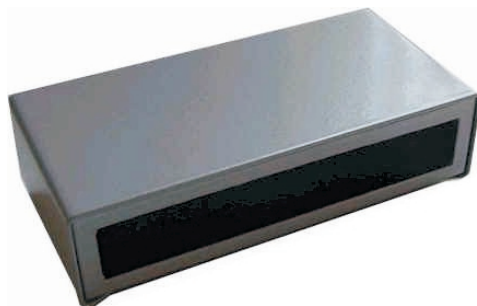
RS-485

Industrial 2-wire communication bus

FUGA series

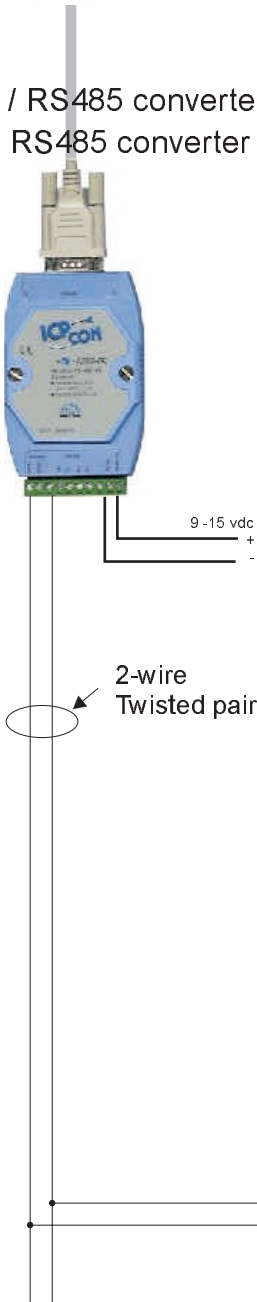


TableTop series



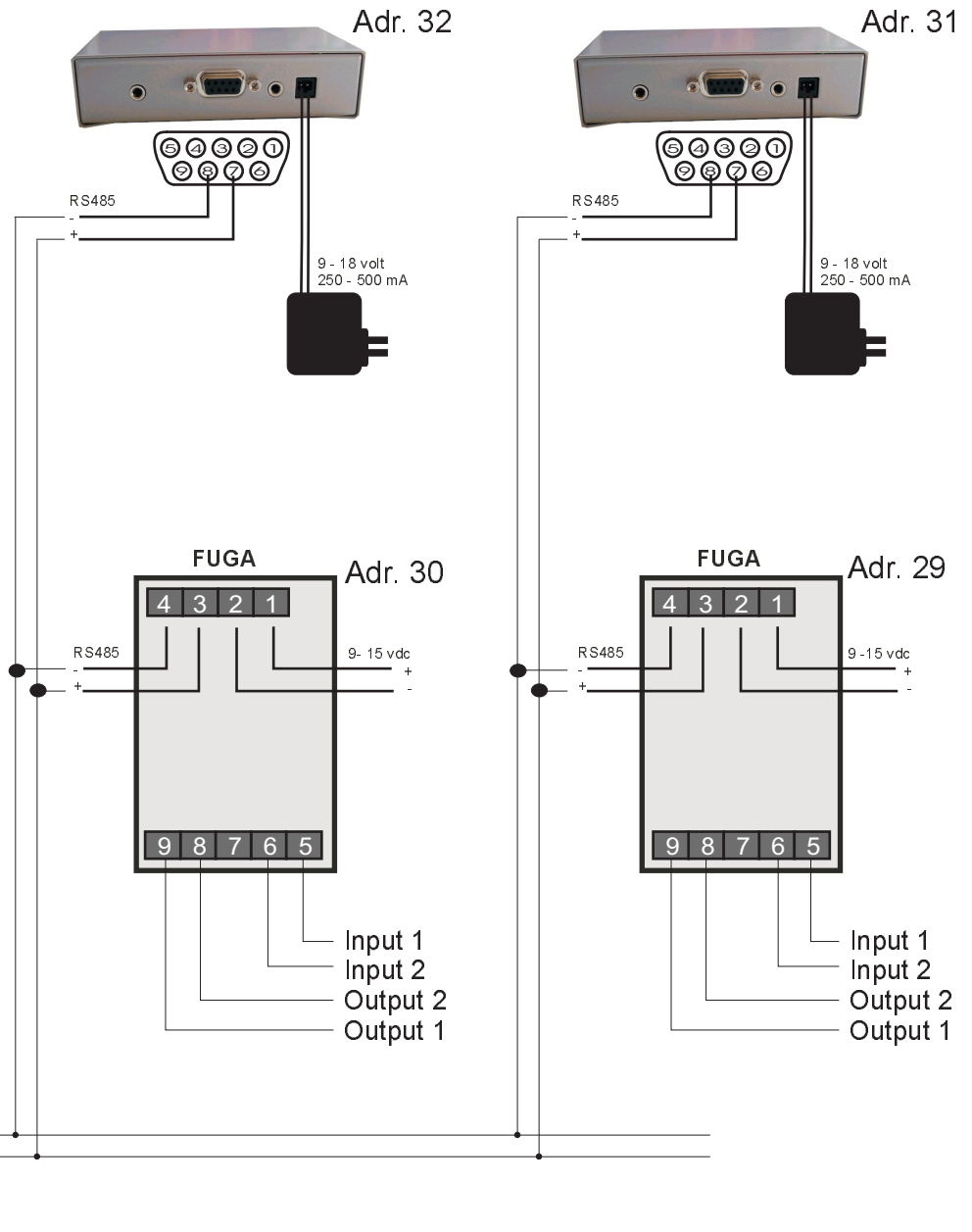


RS232 / RS485 converter
USB / RS485 converter



Please observe:
TableTop must be jumpered
for RS485 communication.

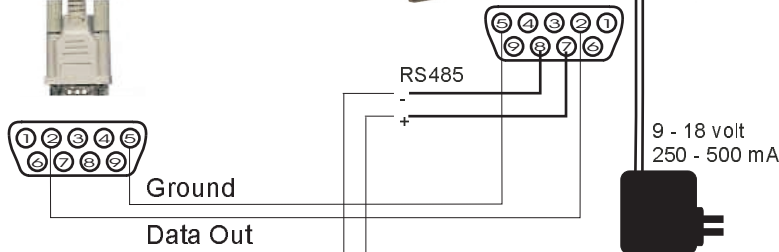
TT455-RT-238
TT455-RT-003





TT455-RT-238
TT455-RT-003
TT455-RX-232
TT455-RX-002

Adr. 32

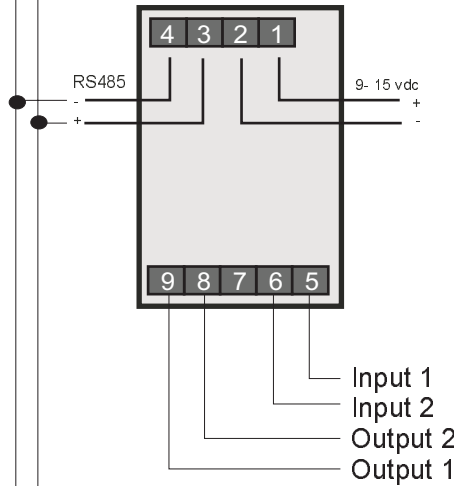


Please observe:
TableTop must be jumpered for RS485 communication and therefore will not receive commands from the computer.

The FUGA(s) receiver(s) must work on same communication speed as the TableTop device.

Adr. 31

FUGA-IR-455



Adr. 30

FUGA-IR-455

