

LinTronic

<http://www.lintronic.dk>

RAKO

The screenshot shows a Windows Internet Explorer browser window displaying the Rakocontrols.com website. The browser's address bar shows the URL <http://www.rakocontrols.com/>. The website's header features the navigation menu: **WIRELESS • WIRED • COMBINED**, with sub-links for Home, Products, System Integration, Application, Useful Information, News, and Contact Us. A large image of a silver Rako dimmer pack is shown on the left side of the page. The main content area includes the following text:

Welcome to Rako.

THE START – WIRELESS MODULES
In 2002 Rako was formed to produce a revolutionary wireless lighting control system that could be retro-fitted into a domestic wiring scenario. Rako's innovative ideas and continuous product development allowed Rako to grow to become the market leader in the wireless field.

OUR HISTORY – INTRODUCTION OF RAK-4 STACKING SYSTEM
Initially the dimmer packs were all individual modules aimed at the retro-fit market, designed to be fitted in ceilings and back-boxes. As dealers and installers gained confidence with the system they undertook larger and larger projects, often where dedicated cabling was being installed. Where the cabling was centralised a racked solution to the dimmers would provide a neater installation than many (sometimes a hundred or more!) modules fixed to the same wall and in recognition of this Rako introduced its RAK-4 dimmer packs. Still with wireless connection to the control panels the RAK-4 system took Rako further into the large project market.

The CEDIA logo is visible in the bottom right corner of the website content area.

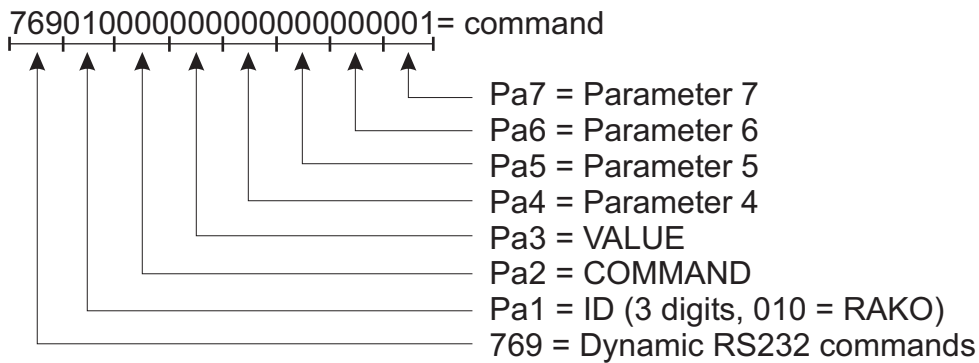
A dealer wanted us to include RAKO RS232 commands into the TT455-RT-238, to work with a RAKO RS232-RF module at 9600 bps.



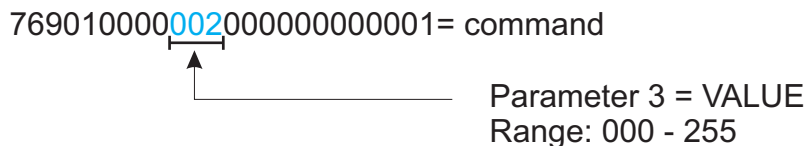
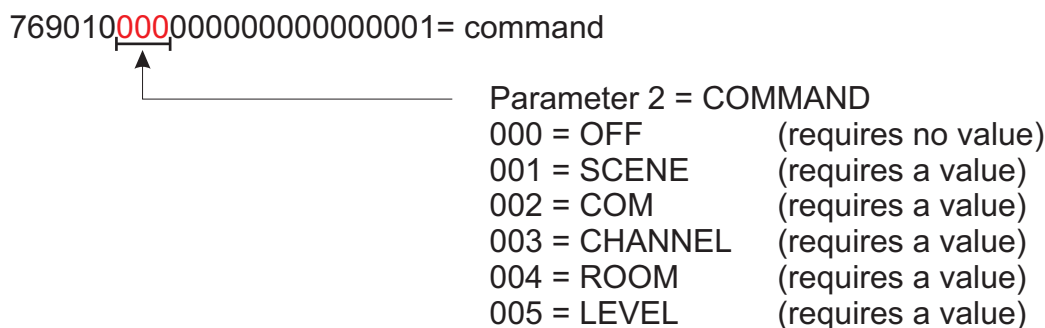
Customize your RAKO commands

The information (commands) controlling the TT455-RT-238 to send out RS232 commands, consist of 8 pcs. 3-digit numbers. These commands can be created in the CommandList section of the TT455-RT-238's Configurator.

Structure:



You create commands for your own personal use.
 The commands you create are stored onto your computer for later use/modification.
 The commands cannot be uploaded to our web-database.



Examples:

- 76901000400200000000000001= ROOM 2
- 76901000101200000000000001= SCENE 12
- 76901000508800000000000001= LEVEL 88