

LinTronic

<http://www.lintronic.dk>

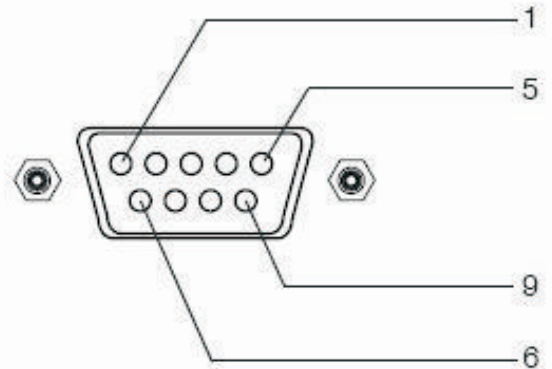
Controlling LG and AGATH TV's by RS232



From LG manual

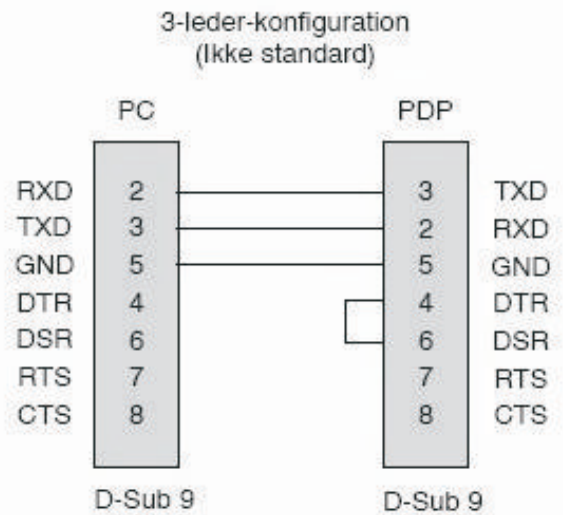
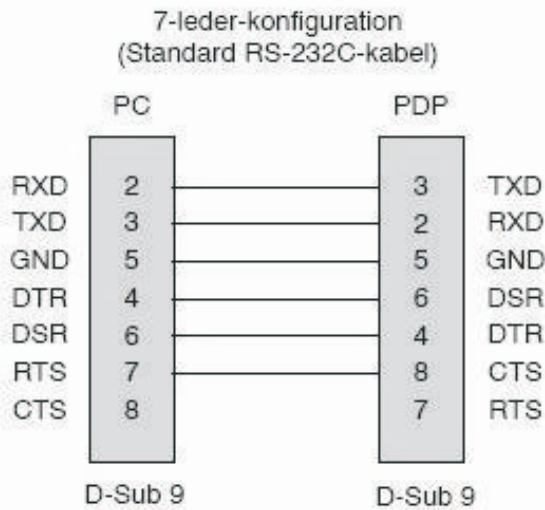
Tilslutningsstik: D-Sub, 9-ben, han

Nr.	Betegnelse for ben
1	Ingen tilslutning
2	RXD (Receive data)
3	TXD (Transmit data)
4	DTR (Data terminal ready)
5	GND (Jord)
6	DSR (Data set ready)
7	RTS (Request to send)
8	CTS (Clear to send)
9	Ingen tilslutning

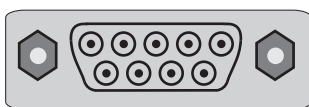


9600 bps, n,8,1

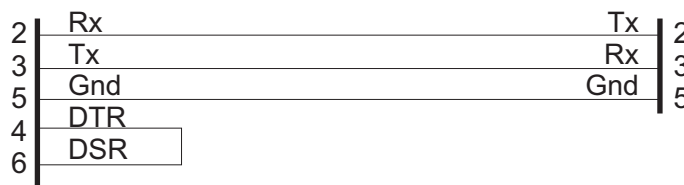
RS-232C-konfigurationer



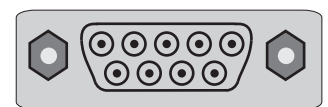
LG TV



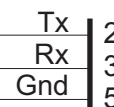
DB09M, MALE



TT455-RT-238



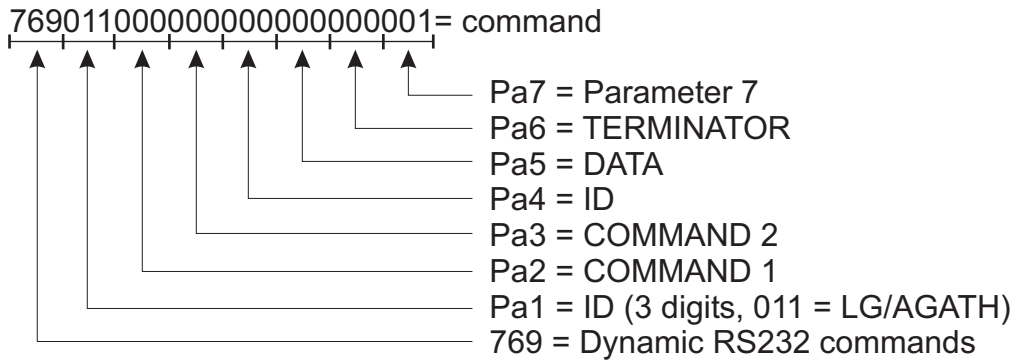
DB09M, MALE



Customize your commands

The information (commands) controlling the TT455-RT-238 to send out RS232 commands, consist of 8 pcs. 3-digit numbers. These commands can be created in the CommandList section of the TT455-RT-238's Configurator.

Structure:



You create commands for your own personal use.
The commands you create are stored onto your computer for later use/modification.
The commands cannot be uploaded to our web-database.

769011000000000000000001= command
Parameter 2 = COMMAND 1

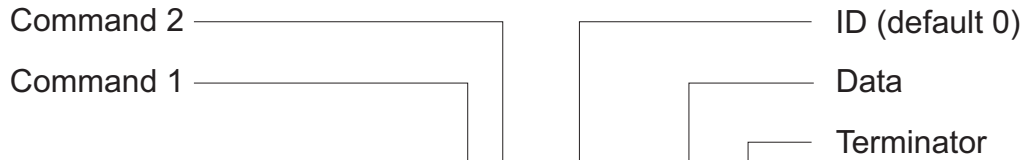
769011000000000000000001= command
Parameter 3 = COMMAND 2

769011000000000000000001= command
Parameter 4 = ID

769011000000000000000001= command
Parameter 5 = DATA

769011000000000000000001= command
Parameter 6 = TERMINATOR

FROM AGATH MANUAL



AGATH

Remote control key function

This function enables to use reserved codes of the remote control.
 The maximum duration of the function depends of the selected function.

• EXECUTION ORDER

[m] [c] [] [SetID] [] [DATA] [CR]

DATA ► Hexadecimal code presented in the table below

• ACKNOWLEDGMENT «ORDER DONE»

[c] [] [SetID] [] [O] [K] [DATA] [x]

• ACKNOWLEDGMENT «NON PERMITTED ORDER»

[c] [] [SetID] [] [N] [G] [DATA] [x]

The <DATA> byte send an error code :

- 01H = Illegal Code (Unknown parameter)
- 02H = Not supported function

FONCTION	DATA (HEXA)	FONCTION	DATA (HEXA)
POWER	11	9	1B
MUTE	13	0	1E
PIC SIZE	03	PRE. CH	1A
PIC MODE	0B	S. SWAP	4D
SLEEP	0A	TV	58
DUAL III	58	PC	54
S. MODE	5A	SOURCE	4F
1	1D	MENU	43
2	1C	PR+	47
3	48	EXIT	50
4	15	VOL-	57
5	14	ENTER	04
6	45	VOL+	53
7	00	PR-	4B
8	1F		