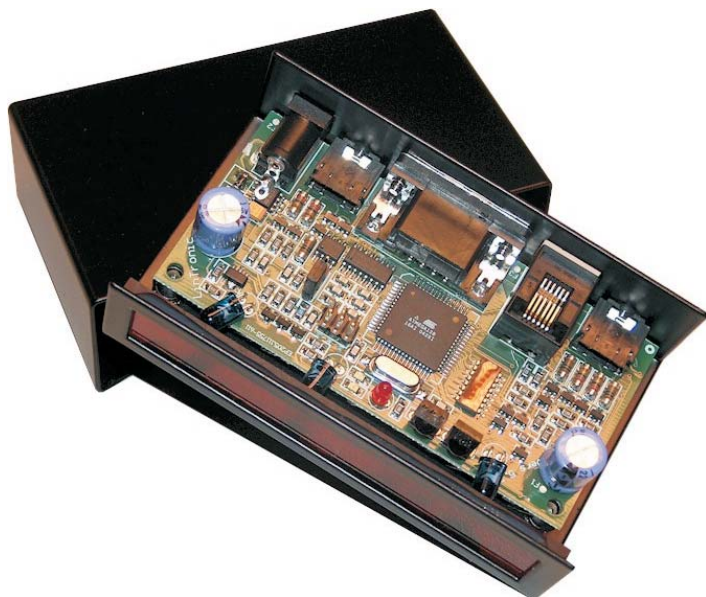


LinTronic

<http://www.lintronic.dk>

TableTop series

Controlling BOSE LIFESTYLE by RS232

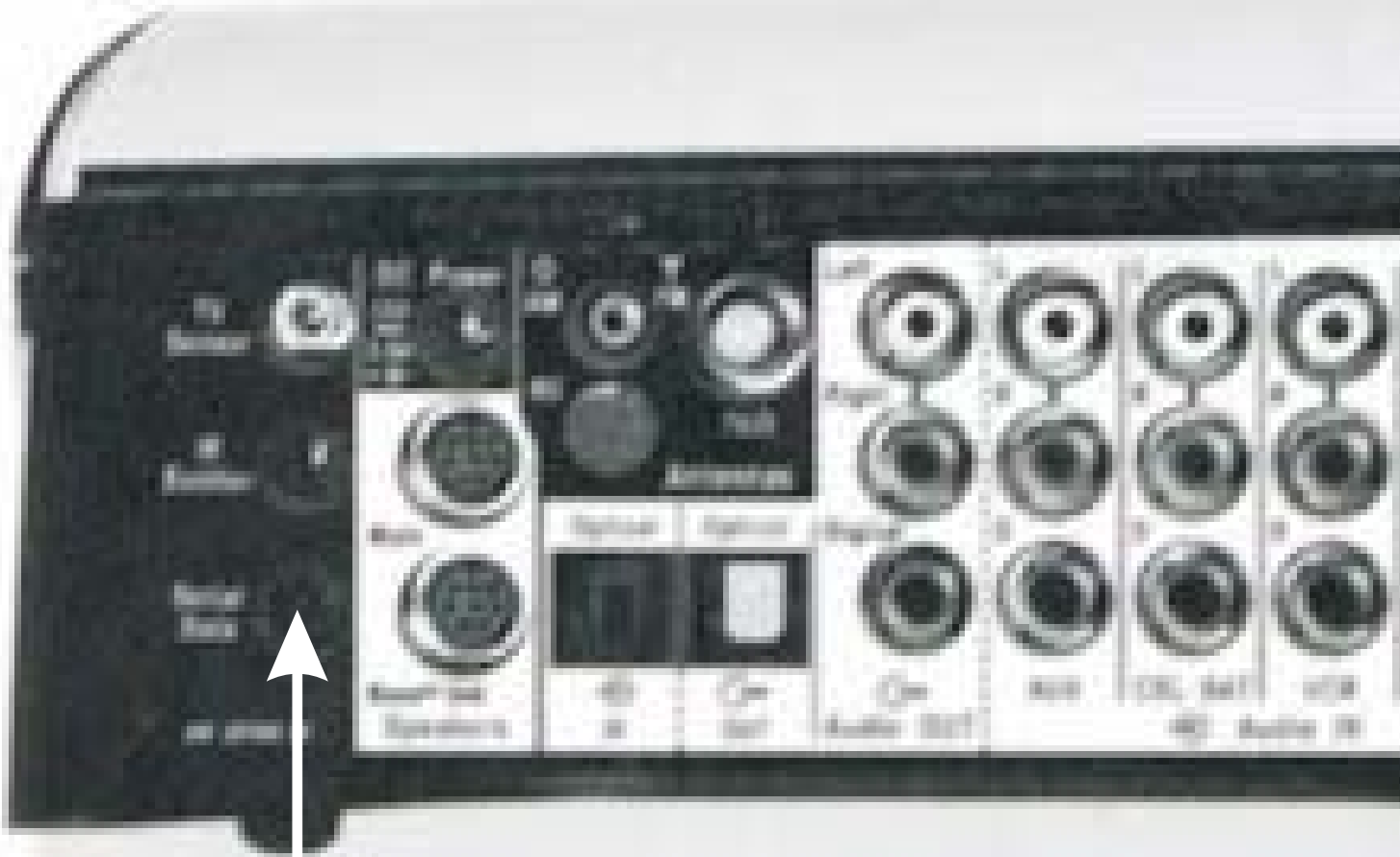


Please observe:

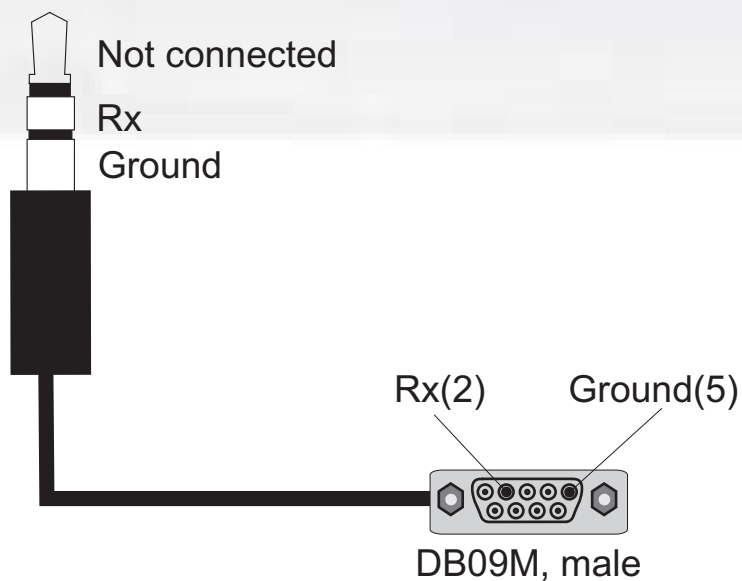
Some BOSE LifeStyle systems (20 and 50), operate on TTL (0 to 5 volt) and some systems (18, 28, 35, 38, 48) operate on RS232 (-12 to 12 volt).

Please consult your handbook for your particular system, or the nearest Bose dealer/installer.

BOSE LIFESTYLE 18, 28, 35, 38, 48



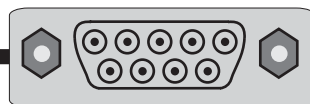
SERIAL DATA



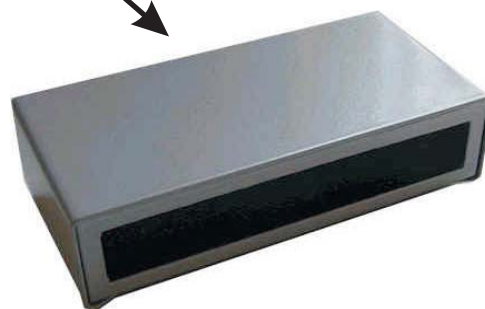
BOSE LIFESTYLE 18, 28, 35, 38, 48



Insert the 3.5 mm jack connector into the BOSE LifeStyle's SERIAL DATA connector

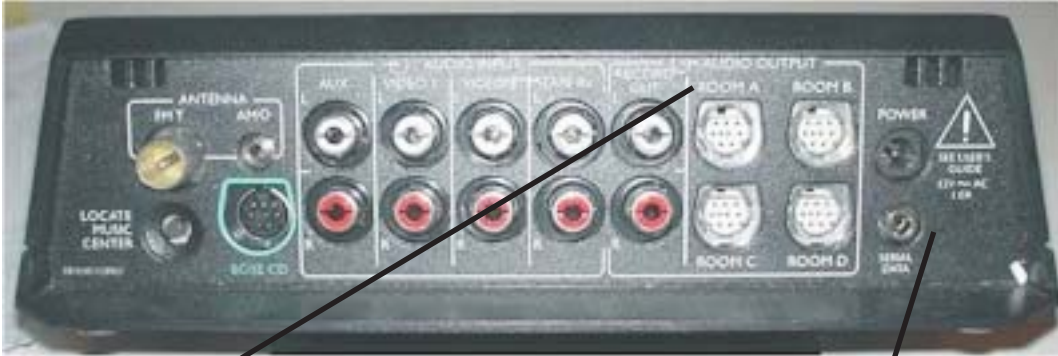


Insert the DB09M connector into the TableTop's RS232 connector

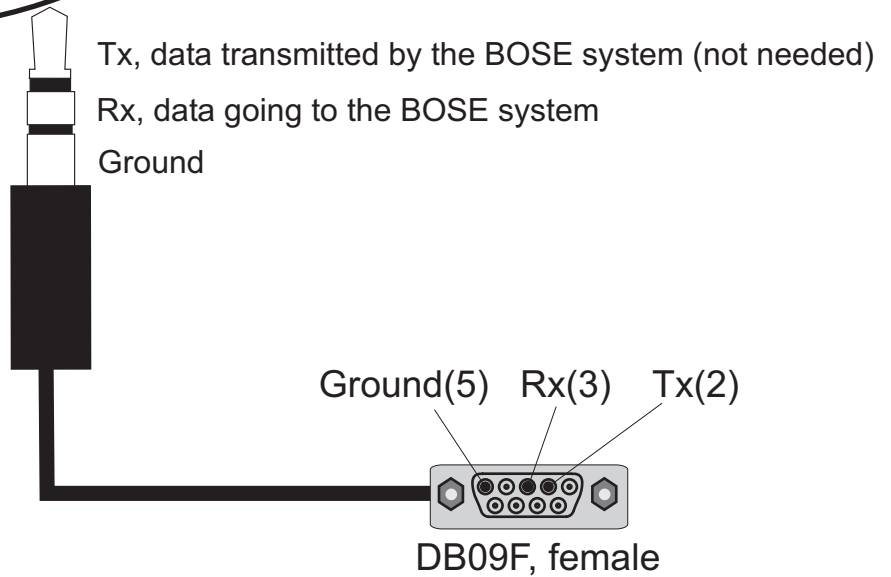


In TT455-RT-238's Memory Map, use commands:
Bose, MusicCenter, RS232 Lifestyle

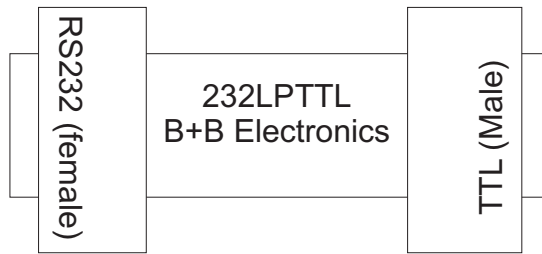
BOSE LIFESTYLE 20, 50



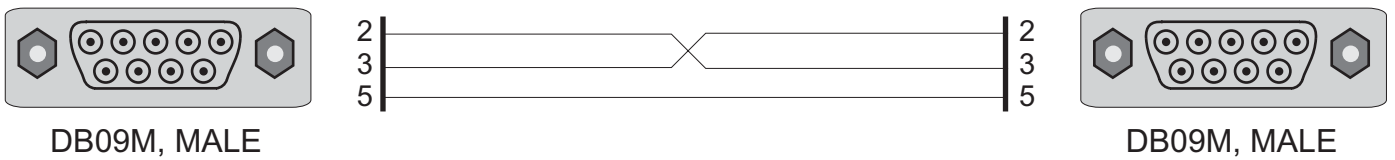
SERIAL DATA TTL SIGNALS



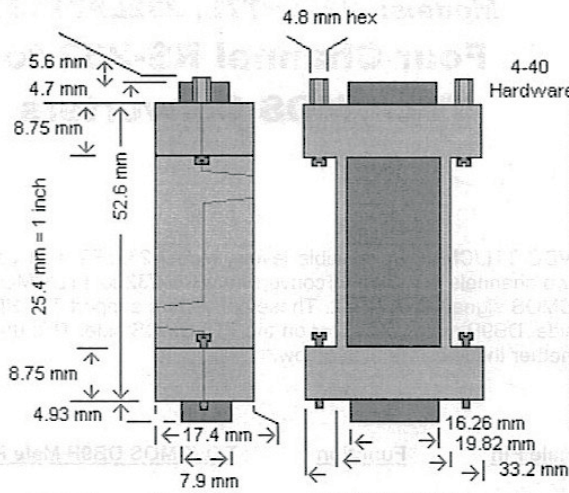
BOSE LIFESTYLE 20, 50



http://www.bb-elec.com/product_family.asp?familyid=19



In TT455-RT-238's Memory Map, use commands:
Bose, MusicCenter, RS232 Lifestyle 50



DECLARATION OF CONFORMITY

Manufacturer's Name: B&B Electronics Manufacturing Company
 Manufacturer's Address: P.O. Box 1040
 707 Dayton Road
 Ottawa, IL 61350 USA

Model Numbers: 232LPTTL, 232LPTTL33
 Description: 4-Channel RS-232 to TTL/CMOS Converters
 Type: Light industrial ITE equipment
 Application of Council Directive: 89/336/EEC
 Standards: EN 55022
 EN 61000-6-1
 EN 61000 (-4-2, -4-3, -4-4, -4-5, -4-6, -4-8, -4-11)

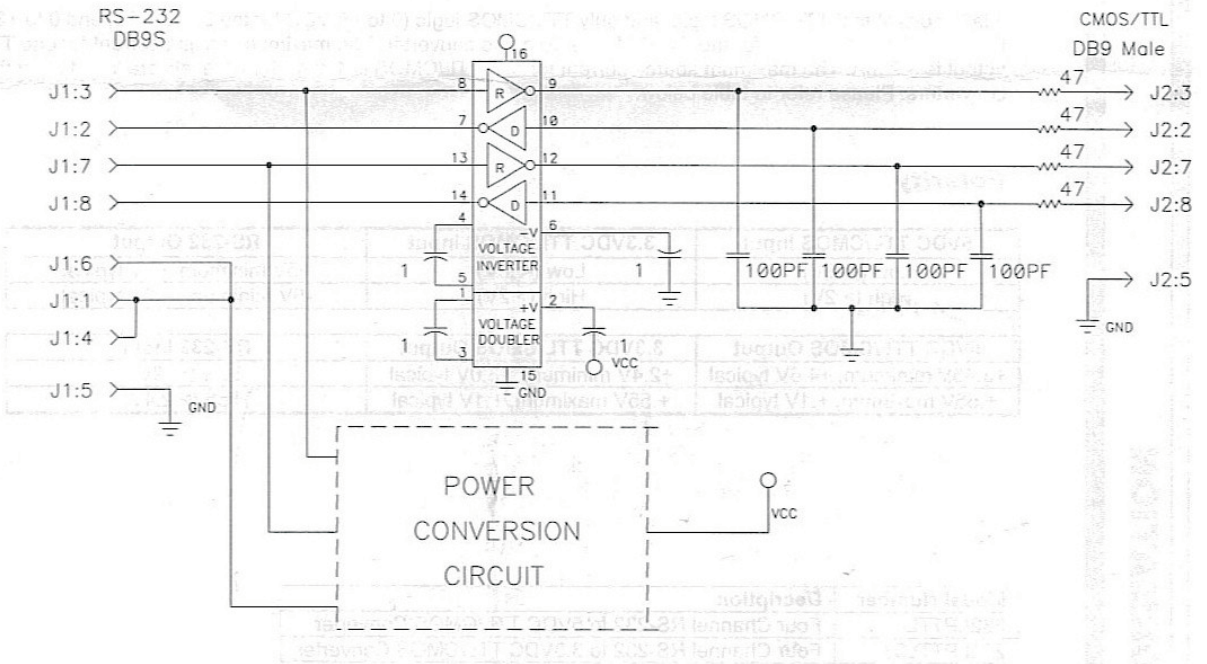
Michael J. Fahrion
 Michael J. Fahrion, Director of Engineering

CE

Note: Male DB9 Connectors are sized slightly larger outside

Specifications

- Supply Voltage: Port-powered
- Temperature Range: 0 to 70°C
- Data Rates: Up to 115.2 kbps



International Headquarters: 707 Dayton Road PO Box 1040 Ottawa, IL 61350 USA
 815-433-5100 Fax 433-5104 www.bb-elec.com orders@bb-elec.com support@bb-elec.com

European Headquarters: Westlink Commercial Park Oranmore Co. Galway Ireland
 +353 91 792444 Fax +353 91 792445 www.bb-europe.com orders@bb-europe.com support@bb-europe.com

Powering up the BOSE system, sends out the below:

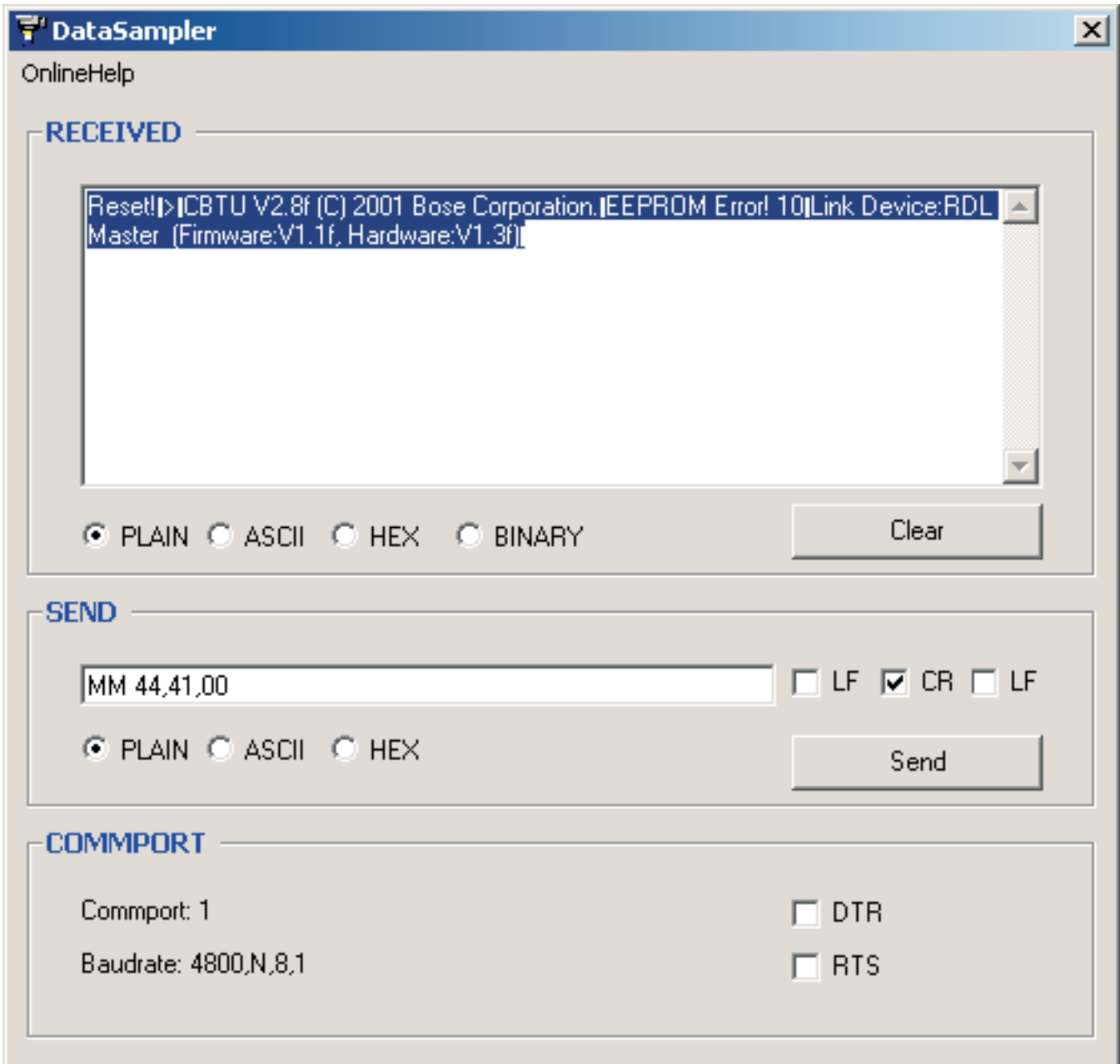
Reset!

>

CBTU V2.8f (C) 2001 Bose Corporation.

EEPROM Error! 10

Link Device:RDL Master (Firmware:V1.1f, Hardware:V1.3f)



You may control the BOSE LS 50, but the system does not return any information on the TTL output to indicate mode, on/off, etc.