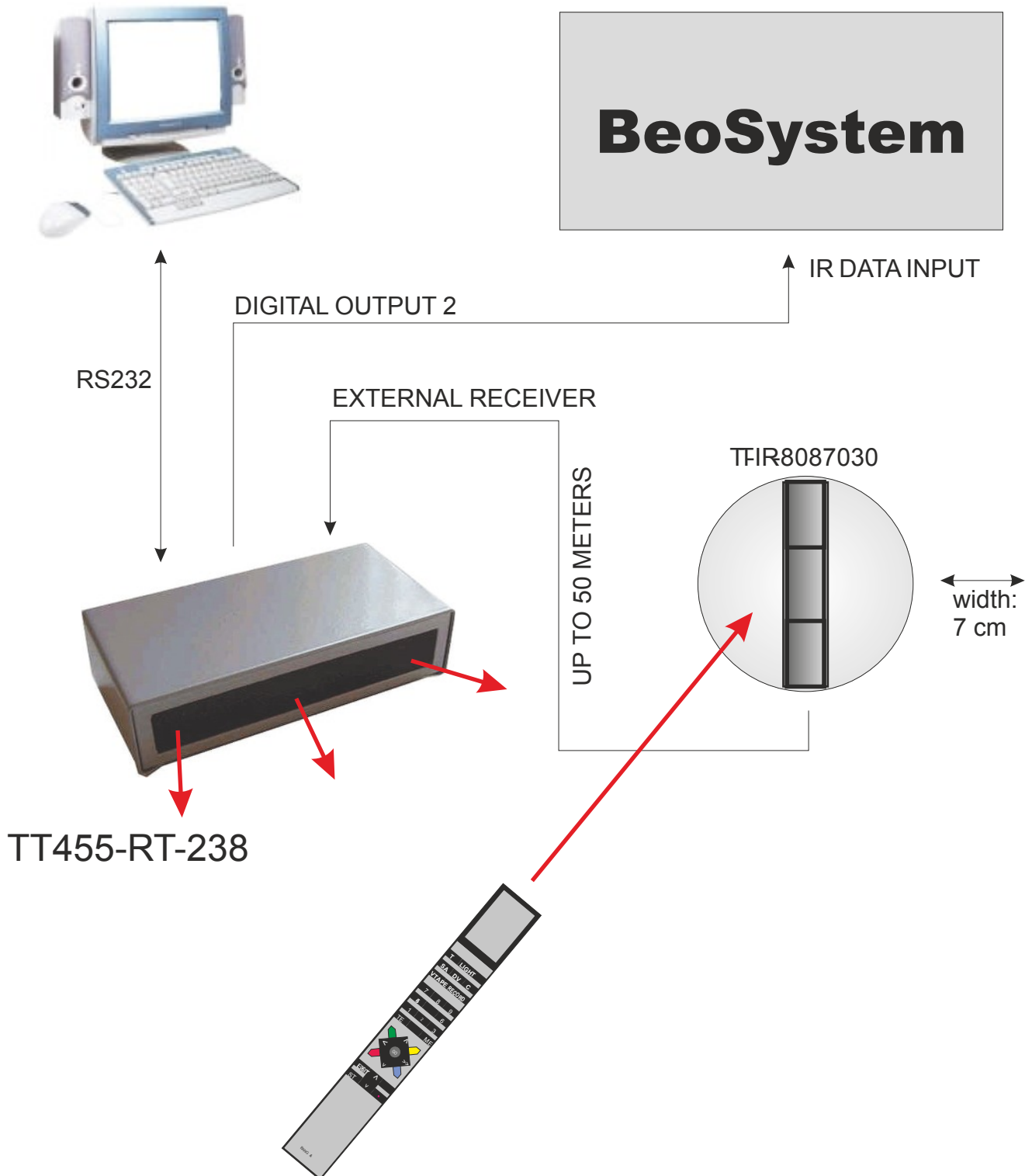


# LinTronic

BeoSystem control  
of non-B&O TV, screen or projector

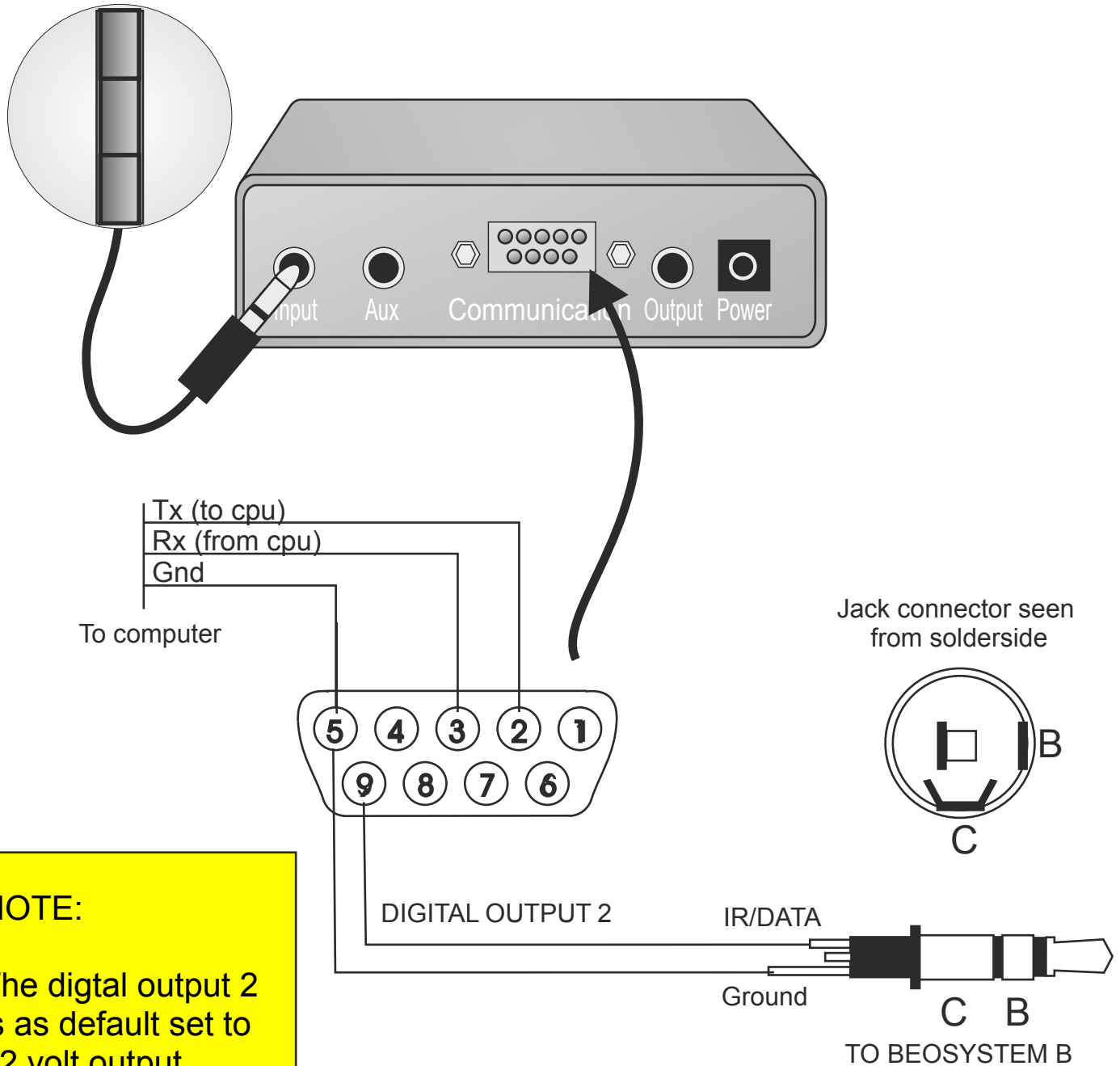


# Controlling the TT455-RT-238 and the BeoSystem using only one IR receiver.



# Controlling the TT455-RT-238 and the BeoSystem using only one IR receiver.

Optional  
External receiver



## NOTE:

The digital output 2 is as default set to 12 volt output. Must be changed to ground output.

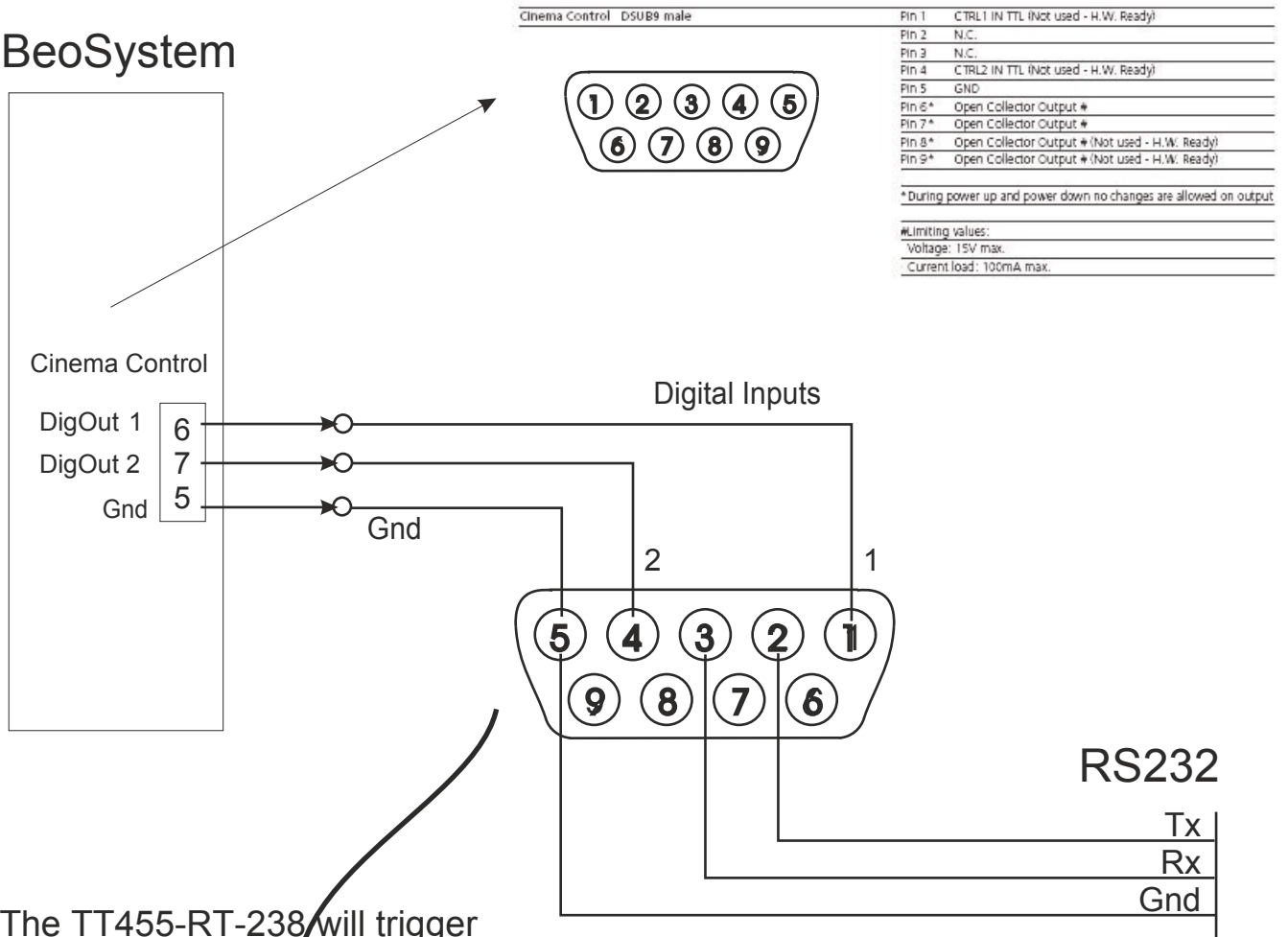
## BeoSystem control of non-B&O TV, screen or projector

The TT455-RT-238 may work together with a BeoSystem and convert the digital outputs into infrared or RS232 commands for a non-B&O tv, screen, projector, light system, etc. etc.

The BeoSystems digital outputs are activated when the BeoSystem enters Cinema mode, and they are de-activated when the BeoSystem leaves Cinema mode.

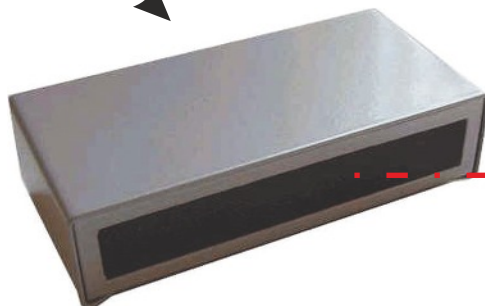
The TT455-RT-238 is easily configured to react when the digital input is activated or de-activated, or both - and will send IR or RS232 commands as instructed.

### BeoSystem



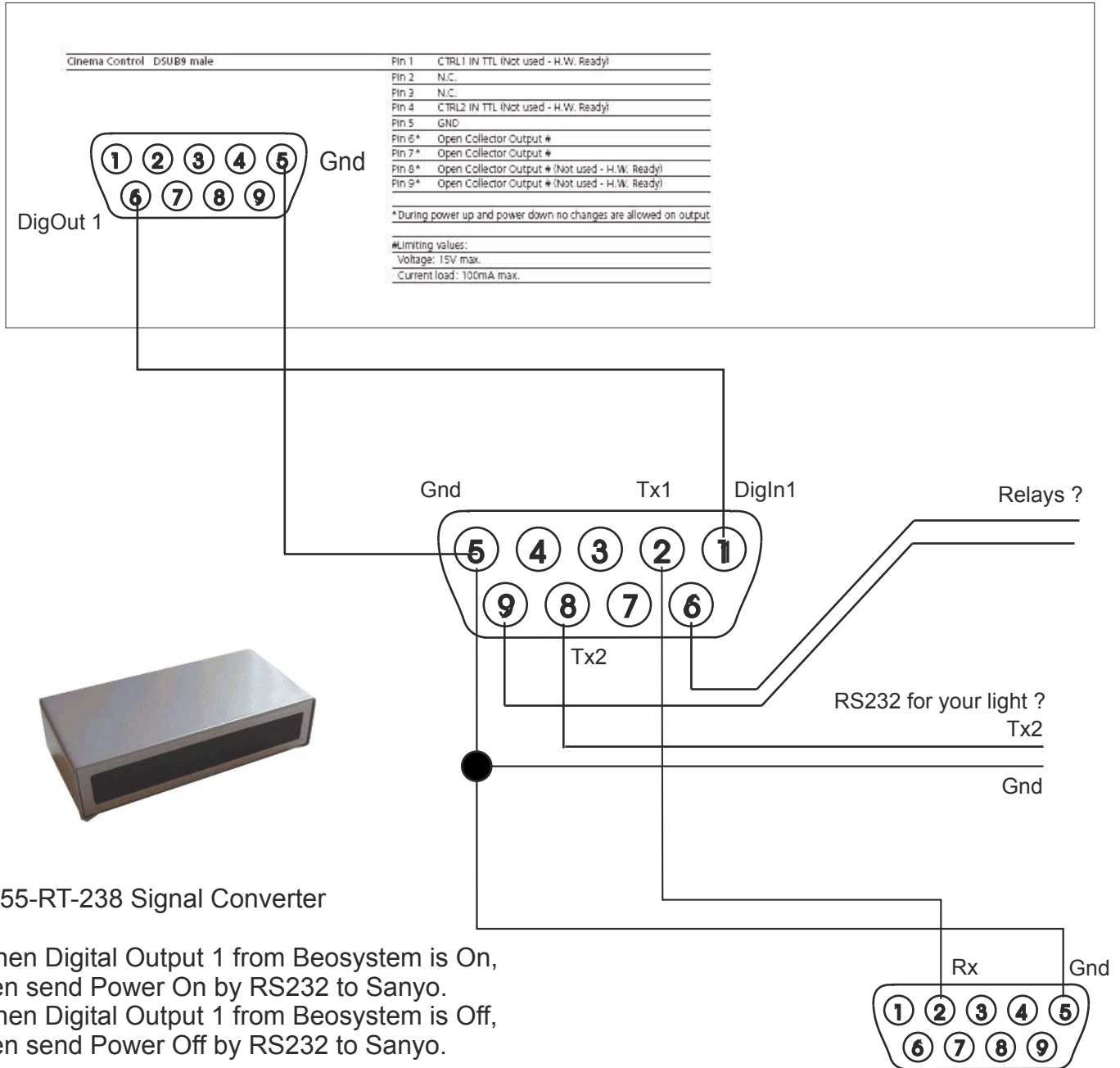
The TT455-RT-238 will trigger on the digital signals and convert into relays, infrared or RS232 commands.

TV, screen, projector, light, etc.



This example shows how a BeoVision-7 controls a Sanyo projector (normally not supported by the BV7) when the customer activates FORMAT-0 on his BEO4.

## BeoSystem



TT455-RT-238 Signal Converter

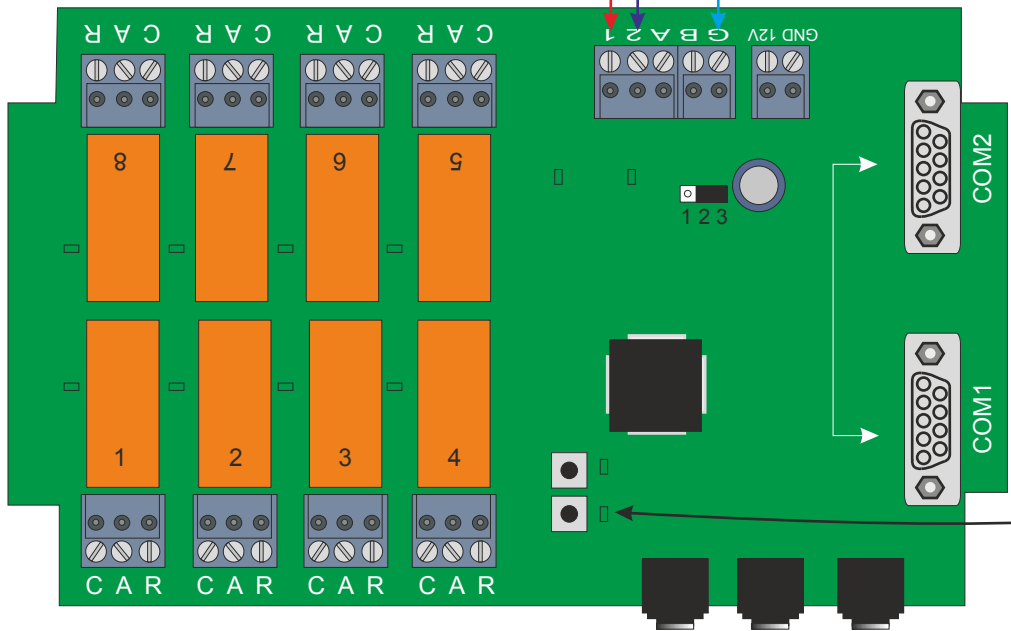
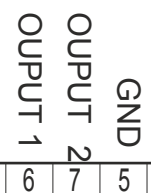
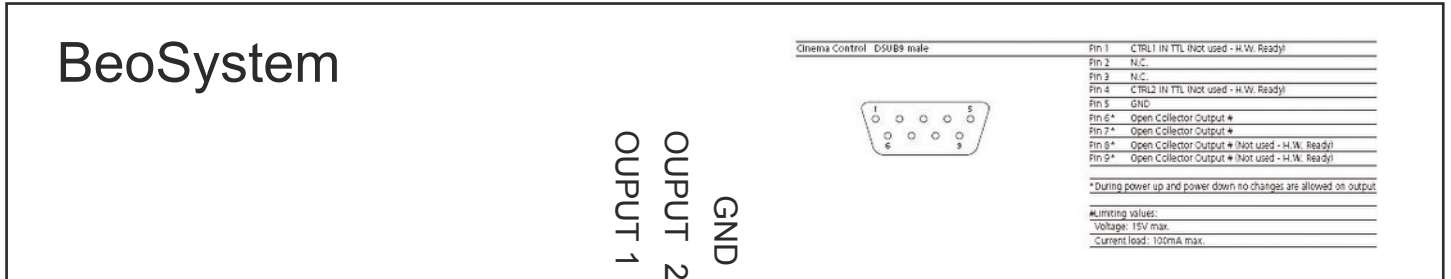
- When Digital Output 1 from Beosystem is On, then send Power On by RS232 to Sanyo.
- When Digital Output 1 from Beosystem is Off, then send Power Off by RS232 to Sanyo.

Optionally RS232 port 2 could control your light system ?

Or the digital outputs could control a couple of relays ?



# BEOLIVING



Quick-adjust the on-time for relay 3, 4, 7, 8 (default 3 seconds):  
 - activate and hold switch 2  
 - count the seconds (blinks)  
 - Release switch 2

## BEOSYSTEM

### Cinema mode On

When Digital Output 1 goes low (active), then relay 1 and relay 2 are activated (ON - no timeout). Relay 3 is activated for the programmed time (default 3 seconds).  
 When Digital Output 2 goes low (active), then relay 5 and relay 6 are activated (ON - no timeout). Relay 7 is activated for the programmed time (default 3 seconds).

### Cinema mode Off

When Digital Output 1 goes high (in-active), then relay 1 and relay 2 are de-activated (Off). Relay 4 is activated for the programmed time (default 3 seconds).  
 When Digital Output 2 goes high (in-active), then relay 5 and relay 6 are de-activated (Off). Relay 8 is activated for the programmed time (default 3 seconds).

TT455-RT-238 reacts to Cinema mode on/off, controls screen up/down and projector by RS232 and 3<sup>rd</sup> party products by IR.

